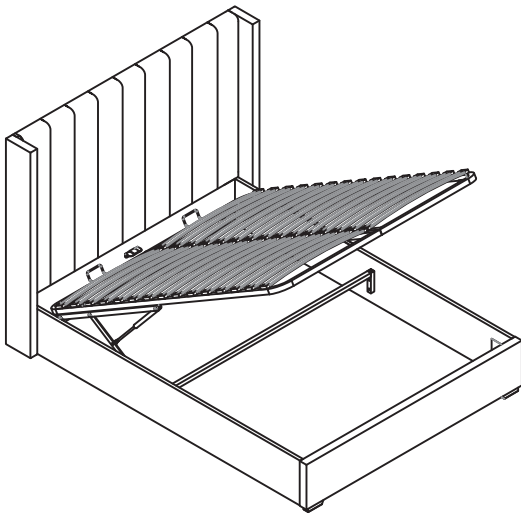


# OTTOMAN BED

## DOUBLE AND KING SIZE



PLEASE READ this sheet prior to assembly to familiarise yourself with the various stages of construction. Carefully open the pack supplied and check the contents against the parts and fittings check list.

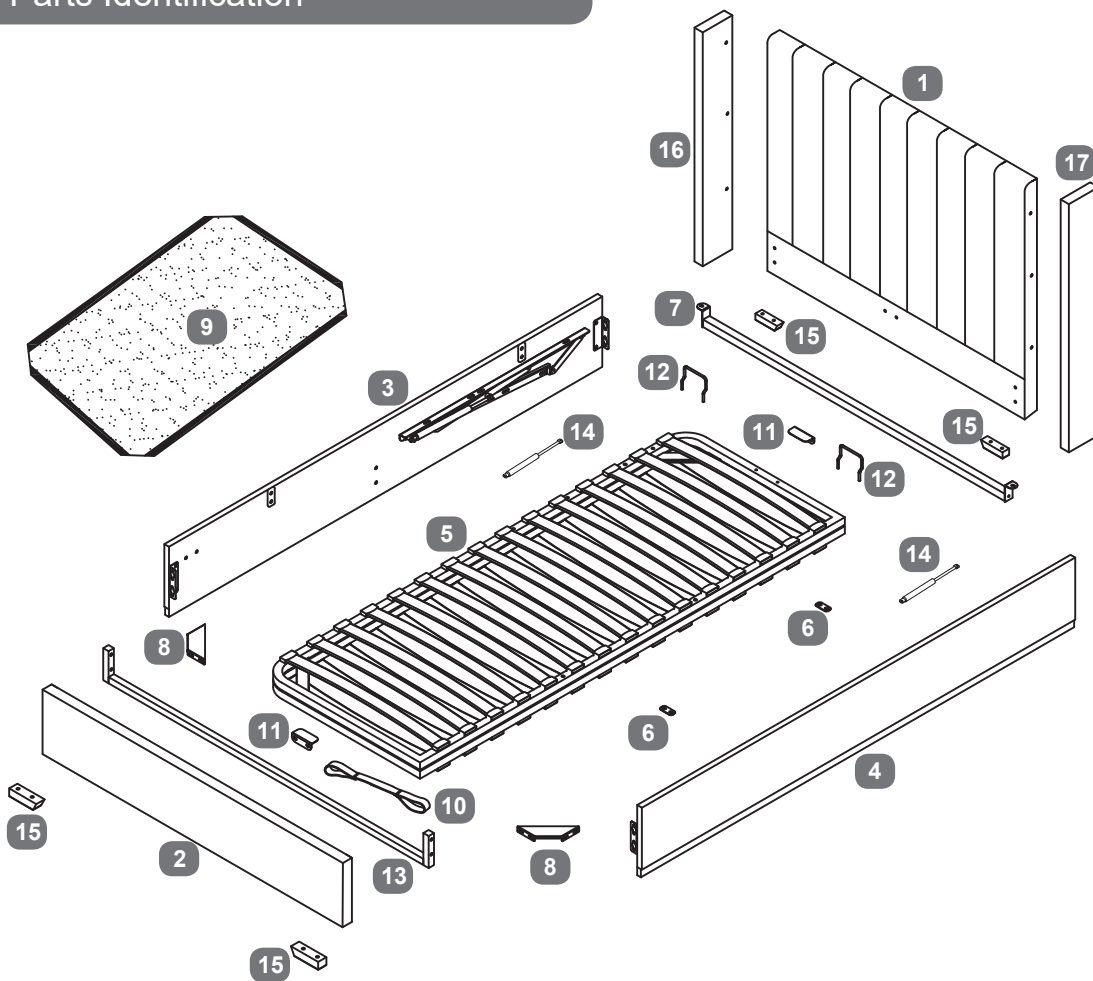
Do not destroy any of the packaging until you are certain that you have all the necessary parts for the assembly.

Please ensure that the packaging is disposed of in a safe environmentally friendly way.

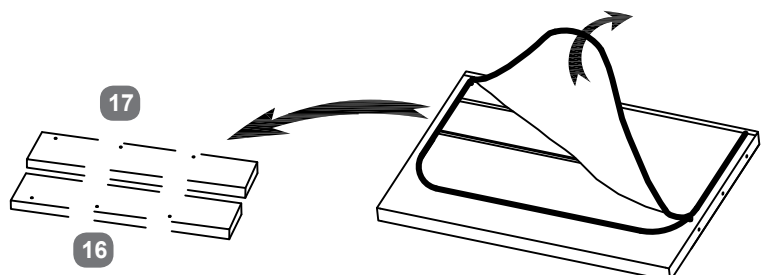
CAUTION: There are small components used in the construction of this unit. These loose items should be kept away from young children during assembly, to avoid the danger of choking.

**IMPORTANT: BEFORE STARTING TO ASSEMBLE THE BED - PLEASE READ THESE INSTRUCTIONS CAREFULLY.**

### Parts Identification



Before assembling the bed, please open the compartment at the rear of headboard and locate the following parts:  
Both wings 16 and 17

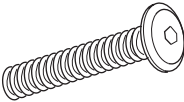


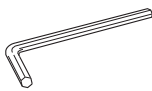
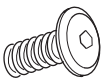




## Parts Checklist

Ref.	Description	Qty	Ref.	Description	Qty
1	Headboard	1	10	Fabric Strap Handle	1
2	Footboard	1	11	Frame Support Brackets	2
3	Side Rail - LH	1	12	Mattress Stoppers	2
4	Side Rail - RH	1	13	'U' Shape Cross Bar	1
5	Metal Lift Up Slat Frame	1	14	Gas Lift Pistons	2
6	Metal Connection Plates	2	15	Feet	4
7	Slat Frame Cross Bar	1	16	LH Wing	1
8	Angled Corner Brackets	2	17	RH Wing	1
9	Fabric Base Cover	1			

## Fittings Checklist

### HARDWARE NEEDED FOR BED ASSEMBLY

Code	Description	Qty	Code	Description	Qty
A	Bolts (M8x45mm) for fitting Metal Slat Frame to Lift Mechanism and fitting 'U' Shaped Bar (13) to Side Rails.	 x24	D	Nuts for M8 bolts	 x10
B	Bolts (M8x25mm) for fitting Side Rails (3&4) to Headboard & Footboard (1&2)	 x8	E	Allen key for M8 bolts	 x1
C	Bolts (M8x16mm) for fitting frame support brackets (11) to headboard and footboard; fitting angled corner bracket (8); fitting metal connection plate (6) and slat frame cross bar (7) to metal slat frame (5)	 x18	F	Spanner for M8 nuts	 x1
			G	Flat Washer for M8 Bolt	 x12

## Care & Maintenance

In the unlikely event of missing or damaged parts, please contact your retailer. Please have this guide at hand quoting the part code reference numbers shown when requesting spare or replacement parts.

## Warnings



**NOTE:** Before moving the slat frame, place the mattress on the slats. Without a mattress in place, the speed of movement is quick and may cause injury so great care is needed. Carefully lower the frame with the fabric hand-strap (10) ensuring the frame sides are aligned with the side panels; there should be an even gap on each side. If not aligned, check bed is still square (see Stage 3) and if it is, but gaps are still not even, re-align. Depending on the weight of the mattress, the rising speed will vary so be careful until you get used to the speed.

Always use the hand-strap to lift or lower the frame - keep fingers well away from the moving parts.

When fully assembled and the mattress in position, please raise & lower the ottoman 4/5 times to ensure the gas pistons are fully lubricated.

## General Hints & Tips



Two person assembly

Please retain your assembly instruction and tools provided for future use. Periodically check that all bolts are still tight.



Approximate time to assemble this product

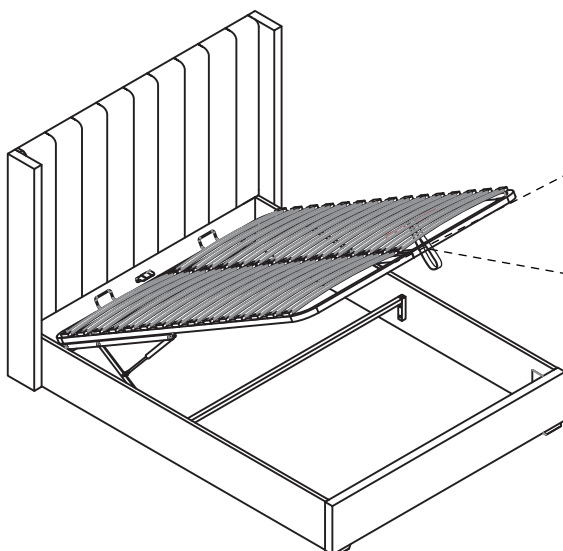
## Warning

- You must ensure that the mattress is on the bed frame before operating the lift mechanism. Failure to do so could result in injury.
- Keep hands clear of the mechanism when opening or closing the ottoman.
- Beware of entrapment – Never reach in through the mechanism to access the storage area.
- Always ensure that the ottoman is FULLY opened before accessing the storage area.
- Do not exceed the maximum weight as specified in the table below:

Bed	Bed Size	Min Weight (kg)	Max Weight (kg)
MAYA OTTOMAN BED	Double	10	40
	King	15	45



- Use caution when operating, always use the handle when lifting.
- Note: This bed uses a pressurised mechanism.
- To be operated by adults only
- Please ensure that children and pets are kept away from the bed when operating the lift mechanism.
- Keep children and pets away from the storage area.
- Do not overload the internal storage base.
- Do not stand inside the internal storage area of the bed.
- Before removing the mattress secure the frame to ensure it does not open unexpectedly.
- Do not attempt to lie on the mattress when the ottoman is in the raised position.
- When lifting the ottoman remove all bedding except the fitted sheet.



**SAFETY WARNING**  
PLEASE DO NOT ALLOW CHILDREN  
OR PETS INSIDE THE STORAGE AREA.

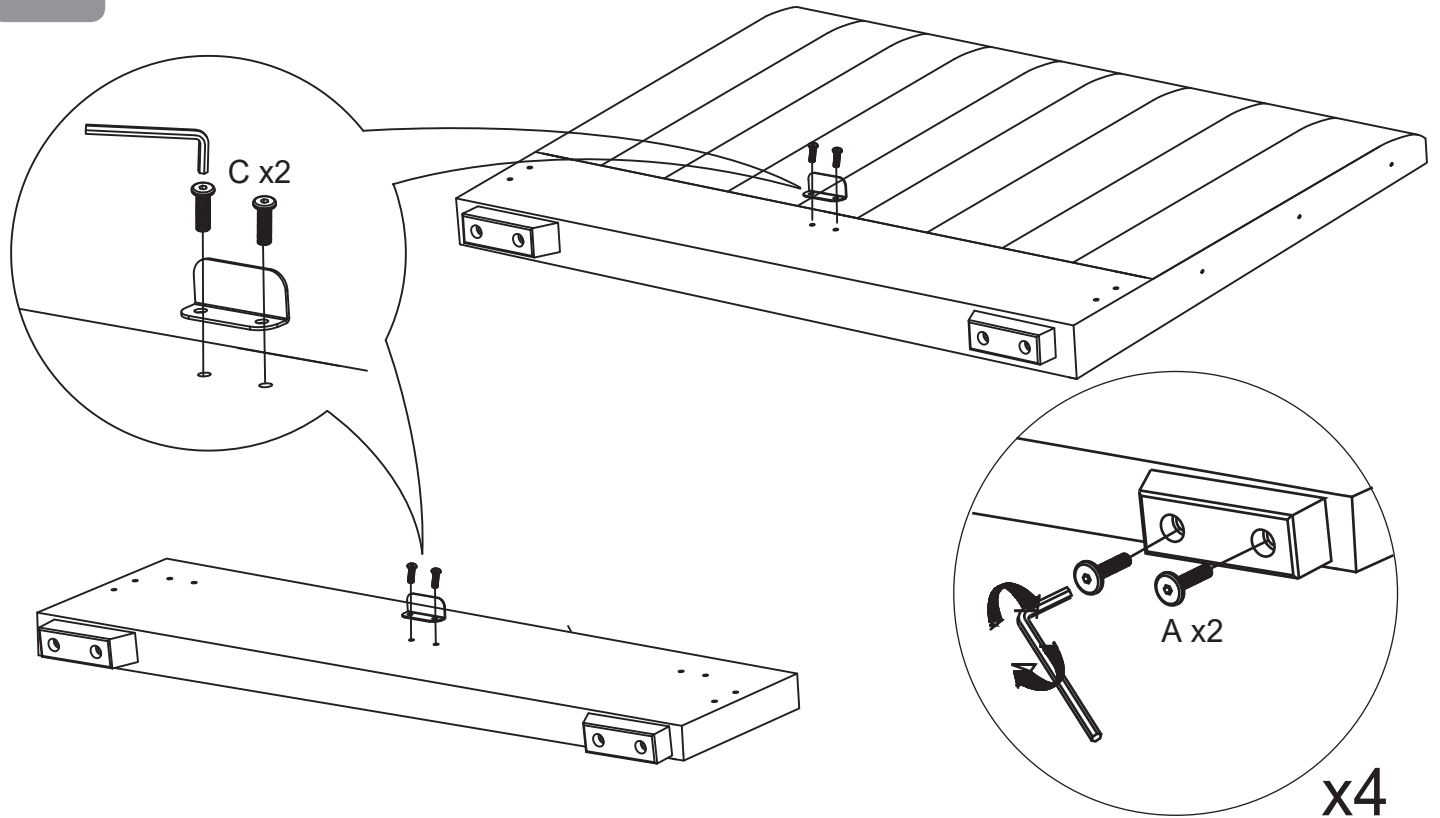
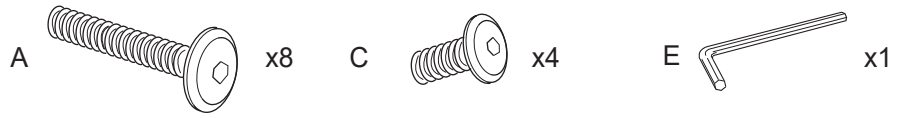
**SAFETY WARNING**  
PLEASE BE CAREFUL WHEN LIFTING.  
ONLY LIFT WITH MATTRESS ON TOP.  
TO BE OPERATED BY ADULTS ONLY.

**WARNING: ONLY USE THE HANDLE TO LIFT &  
LOWER THE BED FRAME TO  
AVOID TRAPPING FINGERS!**

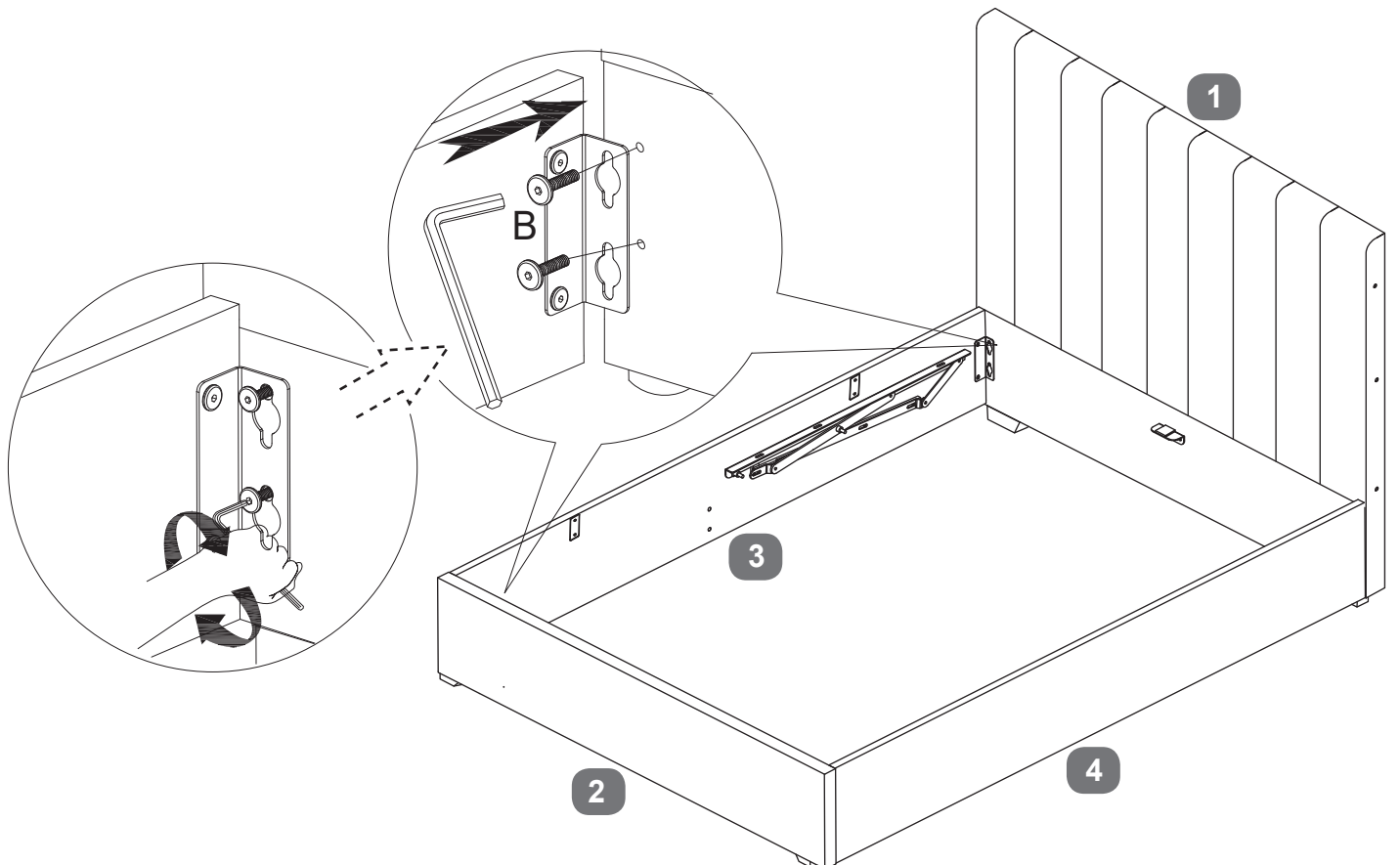
**TO AVOID ACCIDENTS**  
TO ACCESS THE STORAGE AREA THE OTTOMAN FRAME  
MUST BE FULLY OPENED AND THEN FULLY CLOSED AFTERWARDS

# Bed Assembly

Stage  
1

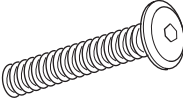
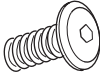



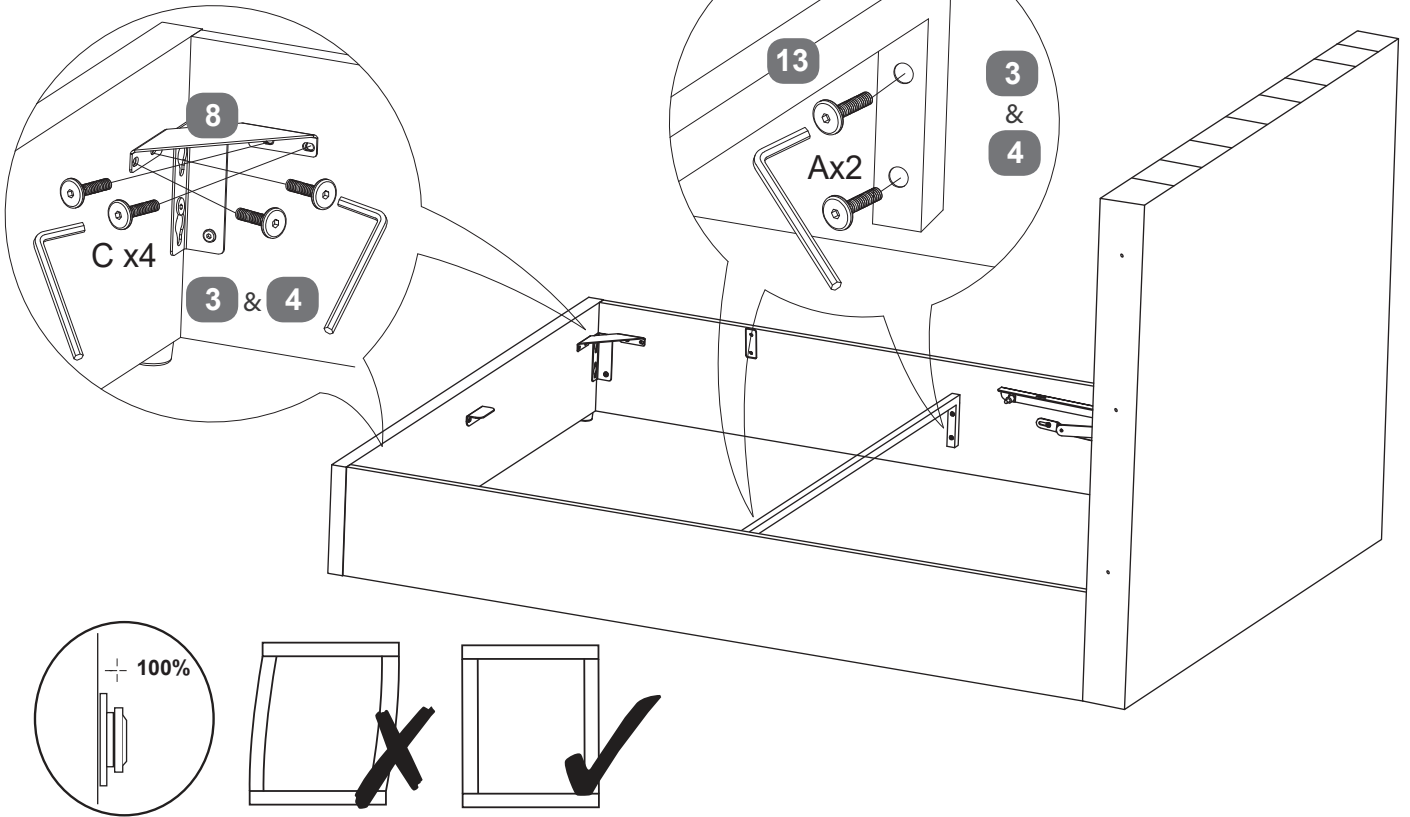
Stage  
2



# Bed Assembly

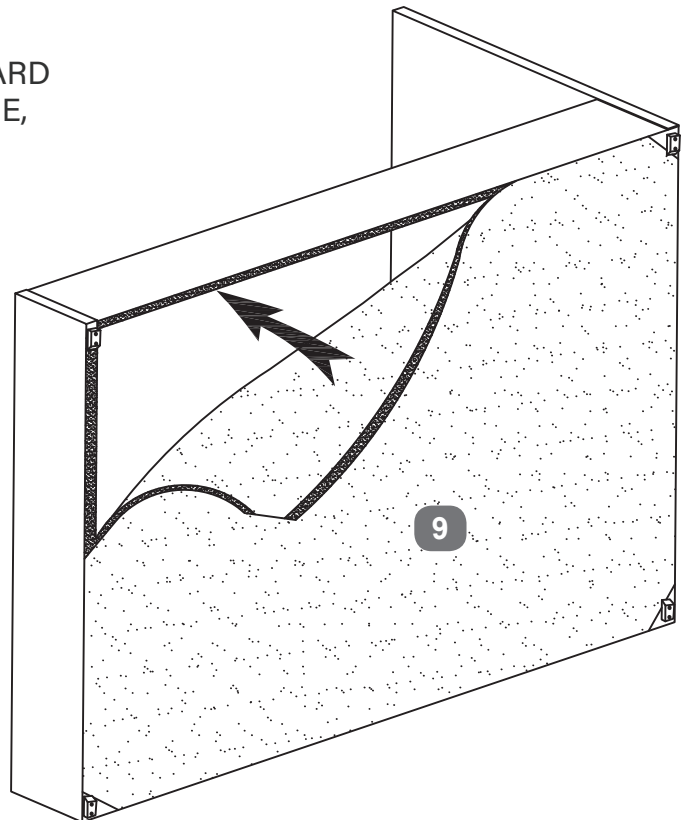
Stage  
3

A  x4    C  x8    E  x1



Stage  
4

**⚠ WARNING**  
CAREFULLY LIFT BOTH HEADBOARD  
& FOOTBOARD AT THE SAME TIME,  
DO NOT LET THE BED TWIST



Lift and turn bed on its side and with assistant holding bed upright for safety, attach fabric base cover (9) to bottom of side-rails, headboard & footboard with the velcro tape. Make sure fabric is fixed evenly all round.

# Bed Assembly

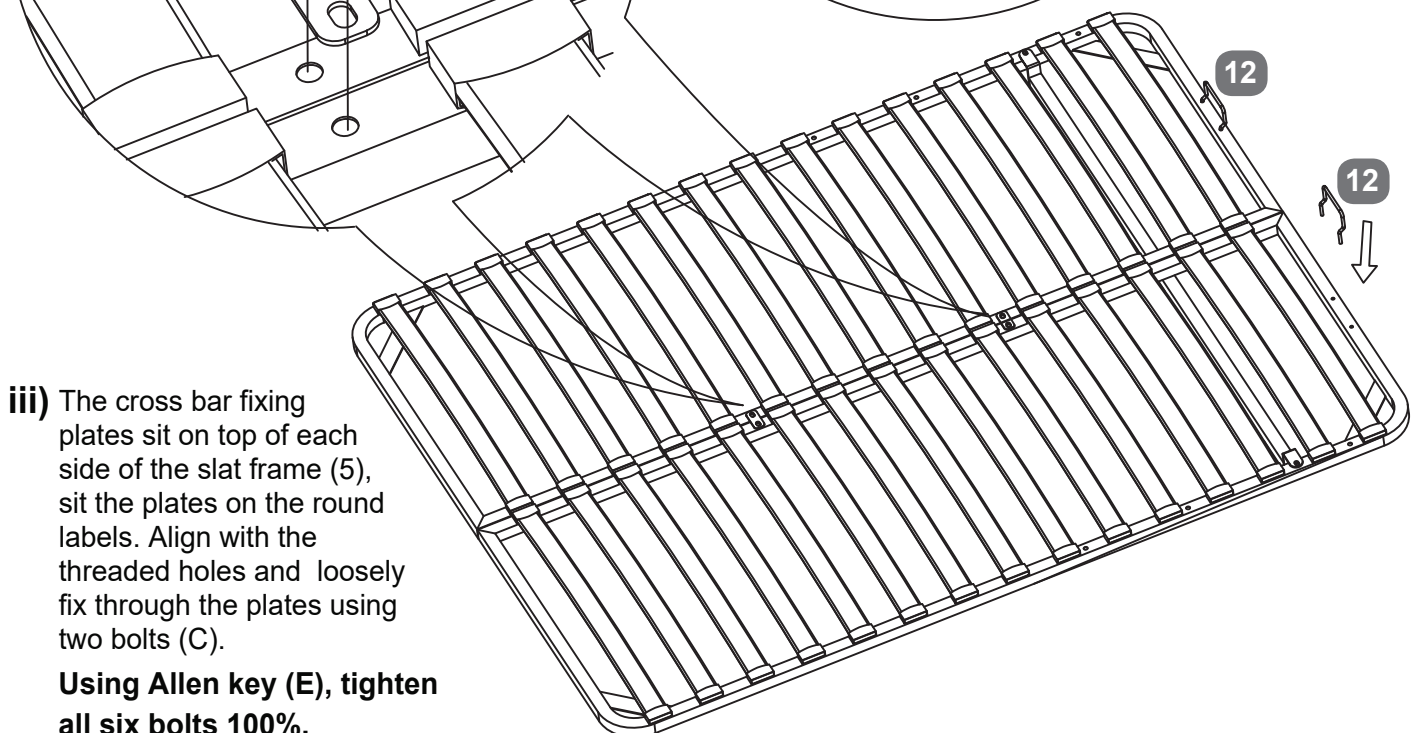
Stage  
5

C  x6    E  x1

i) Fitting position for the slat-frame cross bar (7) is clearly labeled. At the end of the slat frame (5), pass the bar through the gap between second & third slat. Carefully open the frame.

ii) To top of the slat frame, fit two connection plates (6) using four bolts (C). Screw the bolts into the threaded inserts on top of the frame.

**Please do not tighten 100% yet.**



iii) The cross bar fixing plates sit on top of each side of the slat frame (5), sit the plates on the round labels. Align with the threaded holes and loosely fix through the plates using two bolts (C).

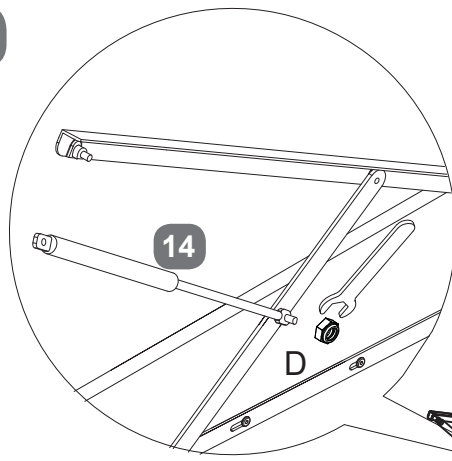
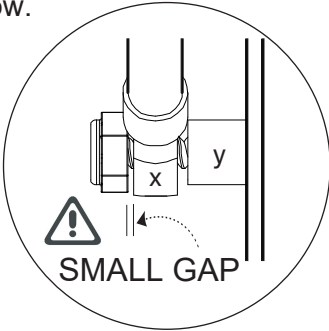
**Using Allen key (E), tighten all six bolts 100%.**

# Bed Assembly

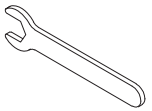
Stage  
6

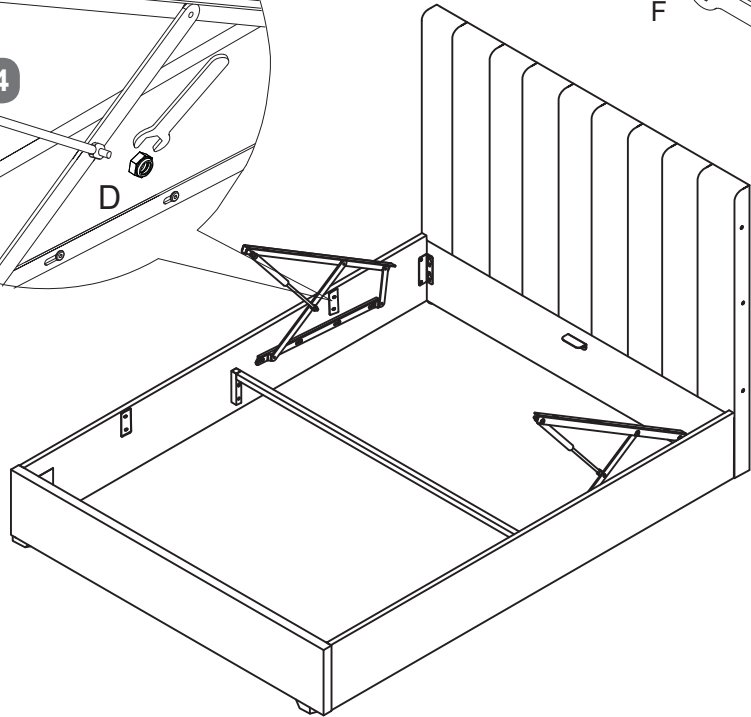
Slide gas-lift piston stem (x) onto the axle (y) then fit the flange lock-nut (D). Tighten nut with spanner (F) - do not over-tighten

A small gap must be left so stem can move freely - this is normal, see sketch below.

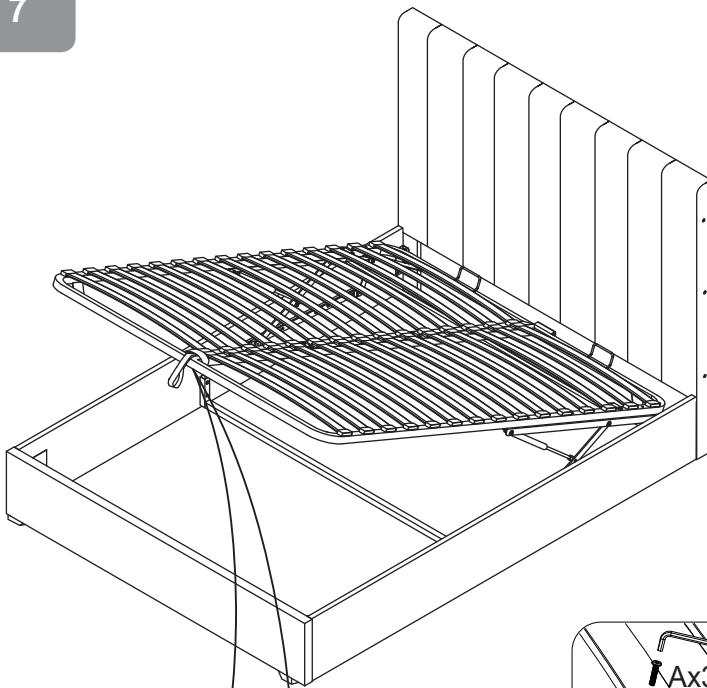


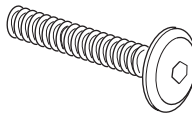
D  x2

F  x1

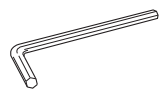


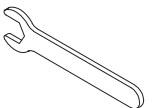
Stage  
7



A  x6

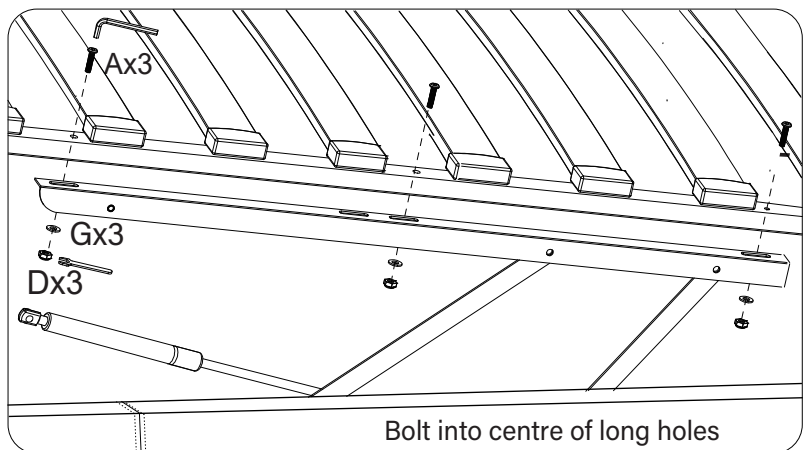
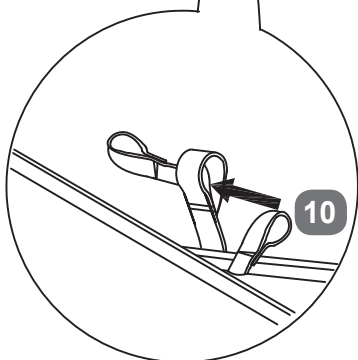
D  x6

E  x1

F  x1

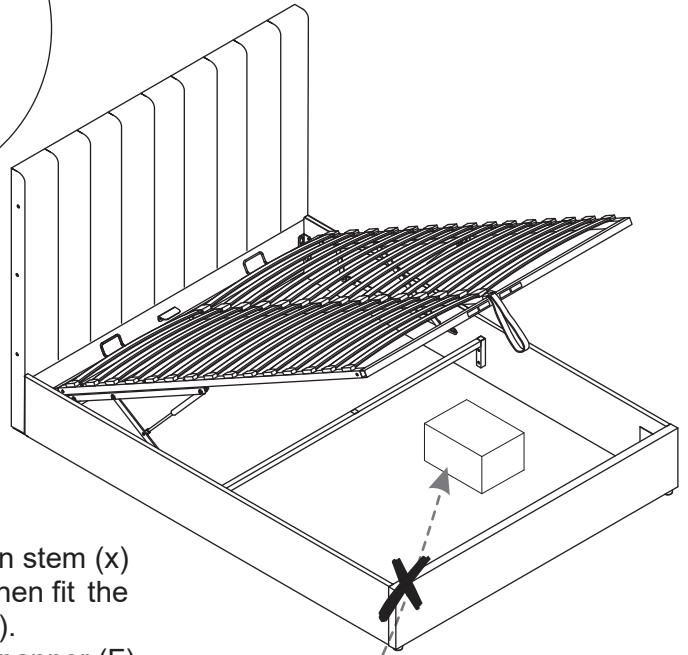
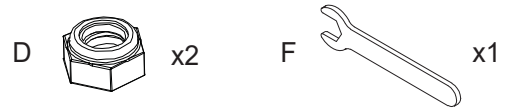
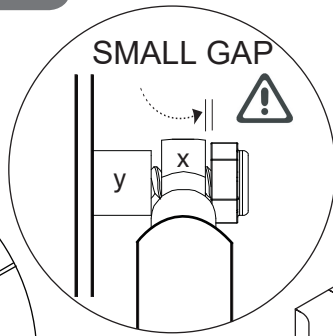
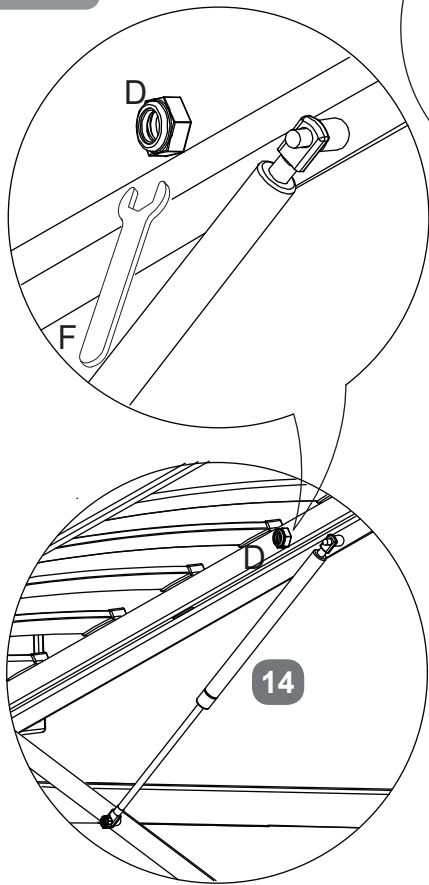
G  x6

Loosely fit three bolt sets on each side (A), (D) & (G), carefully hold frame down and align so there even gaps at each side then tighten all bolts 100%



# Bed Assembly

Stage  
8

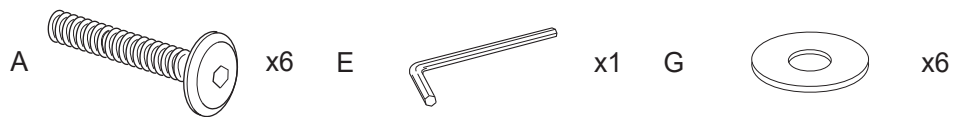


Slide gas-lift piston stem (x) onto the axle (y) then fit the flange lock-nut (D). Tighten nut with spanner (F) - do not over-tighten.

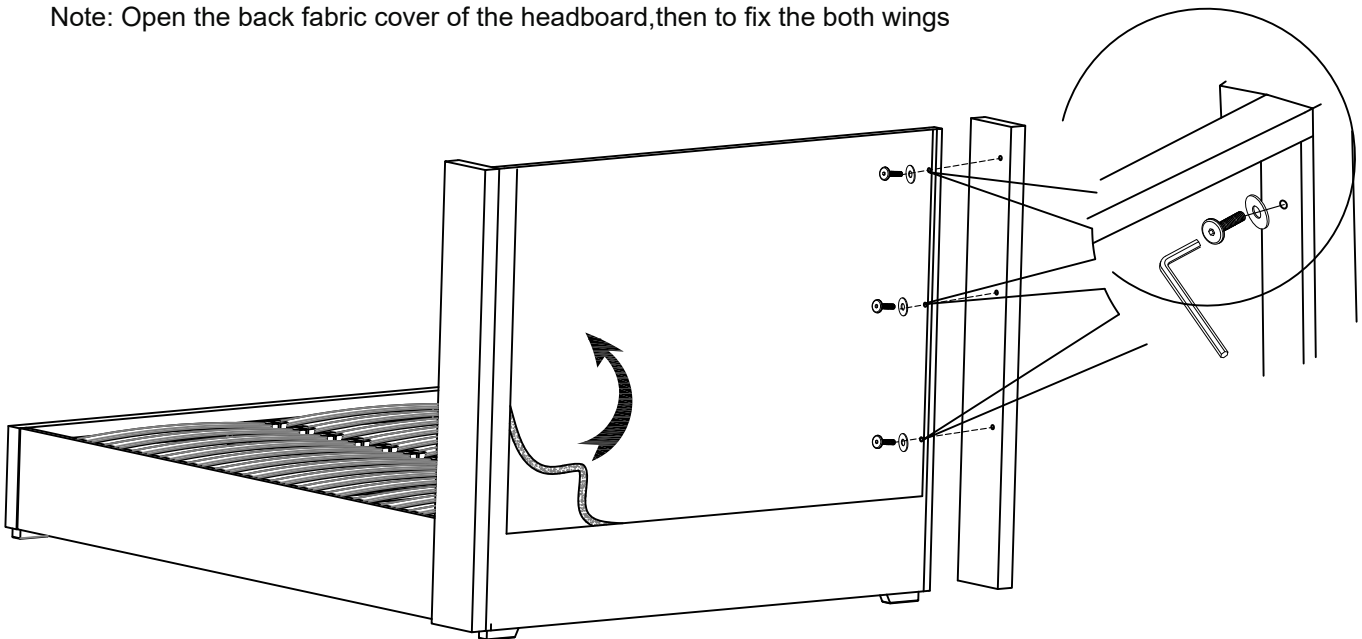
A small gap must be left so stem can move freely - this is normal, see sketch above.

Note: Be careful what you store under the bed - the top of an item, like a suitcase or a box, must not touch the slats or they may be damaged. Maximum storage height is 25cm.

Stage  
9



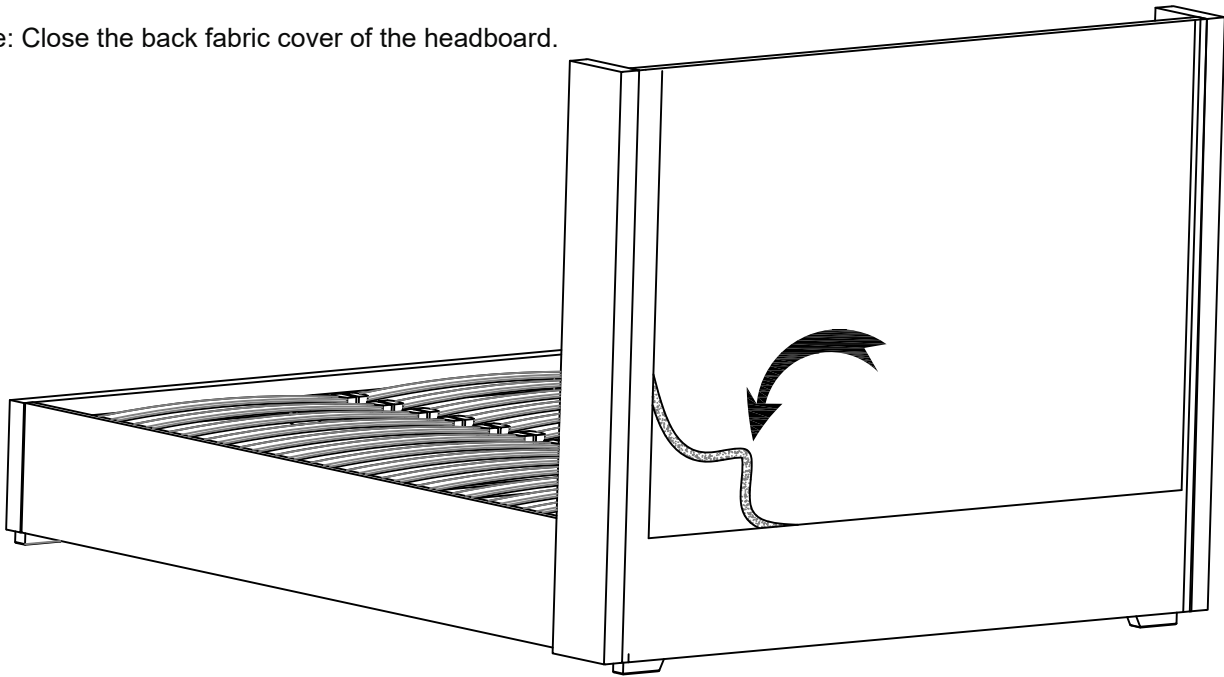
Note: Open the back fabric cover of the headboard, then to fix the both wings





Stage  
10

Note: Close the back fabric cover of the headboard.



### Technical Specifications

Overall Dimensions (LWH cm)

Double: 206 x 155 x 135  
King: 216 x 170 x 135

Storage Dimensions (LWH cm)

Double: 193 x 137.5 x 25  
King: 203 x 152.5 x 25

Ottoman Piston Strength (N)

800

Distance between slats (cm)

7.3

